


INOVANCE

CS710 Crane Drive

Open & closed loop AC drive

Wide operating voltage
Three-phase 380 to 480 Vac
0.4 to 450 kW

Operation in high ambient
temperature  50°C¹

Enhanced reliability and
longer drive life span:
- Selection of high rated components
- Conformal coating suitable for 3C2
and 3S2 environments

CE


LISTED
E467465
IND. CONT. EQ.

Built-in DC reactor
(400 V: 18.5 kW and above)

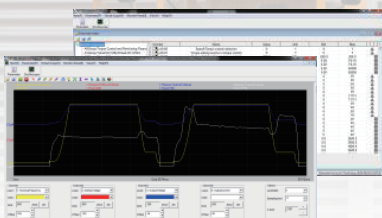


Features & functions

- Open loop V/F & SVC control
- Closed loop FVC control
- Starting torque
 - 150% at 0.25 Hz for SVC
 - 180% at 0 Hz for FVC
- Communication options:
 - Modbus-RTU
 - PROFIBUS-DP
 - CANopen
 - CANlink
 - PROFINET
- Slip compensation
- Simplified parameters for easy start up
- Selectable linear or S-Curve acceleration/deceleration profile
- Flexible programmable I/Os
- User programmable functions
- Variable DC-injection braking
- Comprehensive trip diagnostics
- Built-in dynamic braking unit (up to & including 75 kW)
- Dedicated functions for crane applications:
 - Brake control logic
 - Light load function
 - Electronic motorised potentiometer
 - Overload protection function
 - Pre-excitation function
 - Over travel switches inputs
 - Anti-sway function (customized version)


PC-based
software:
simplified
start up &
backup²


Through-hole mounting
options (0.4 to 160 kW)



¹ Please note: if operating above 40°C, derating is required
² PC comms kit is required (optional accessory)

General specifications

Voltage class 		Three-phase 380 to 480 Vac										
Drive model: CS710-4TxxxGx-INT		0.4GB	0.75GB	1.1GB	1.5GB	2.2GB	3.0GB	3.7GB	5.5GB	7.5GB	11GB	15GB
Frame size		T1 ^{*1}					T2		T3		T4	
Drive input	Rated input voltage	Three-phase 380 to 480 Vac -15% to +10%										
	Rated input current [A]	1.8	2.4	3.7	4.6	6.3	9.0	11.4	16.7	21.9	32.2	41.3
	Rated input frequency	50/60 Hz ±5%										
Drive output	Applicable motor [kW]	0.4	0.7	1.1	1.5	2.2	3	3.7	5.5	7.5	11	15
	Output current [A] ^{*2}	1.5	2.1	3.1	3.8	5.1	7.2	9	13	17	25	32
	Default carrier frequency [kHz]	6	6	6	5	5	4	3	3	3	3	3
	Overload capacity	150% for 60 s										
	Max. output voltage	Three-phase 380 to 480 Vac (proportional to input voltage)										
	Max. output frequency	150 Hz										
Braking resistor	Recommended power [kW]	0.2	0.35	0.55	0.75	1.1	1.5	1.8	2.7	3.7	5.5	7.5
	Minimum resistance [Ω]	96	96	96	96	64	64	32	32	32	20	20
Braking unit		Built-in										
Enclosure		IP 20										

Voltage class 		Three-phase 380 to 480 Vac										
Drive model: CS710-4TxxxGx-INT		18.5GB	22GB	30GB	37GB	45GB	55GB	75GB	90G	110G	132G	160G
Frame size		T5		T6		T7		T8		T9		
Drive input	Rated input voltage	Three-phase 380 to 480 Vac -15% to +10%										
	Rated input current [A]	49.5	59	57	69	89	106	139	164	196	240	287
	Rated input frequency	50/60 Hz ±5%										
Drive output	Applicable motor [kW]	18.5	22	30	37	45	55	75	90	110	132	160
	Output current [A] ^{*2}	37	45	60	75	91	112	150	176	210	253	304
	Default carrier frequency [kHz]	6	6	6	5	5	4	3	3	3	3	3
	Overload capacity	150% for 60 s										
	Max. output voltage	Three-phase 380 to 480 Vac (proportional to input voltage)										
	Max. output frequency	150 Hz										
Braking resistor	Recommended power [kW]	9	11	15	18	22	27	37	45	55	66	80
	Minimum resistance [Ω]	24	24	19.2	14.8	12.8	9.6	6.8	2.5	2.5	2.5	2.5
Braking unit		Built-in					MDBUN-200-5T					
Enclosure		IP20										

*1 0.75/1.5/2.2/3.7/5.5 kW are the preferred stocking ratings. To learn more, please get in touch with your local Inovance representative.

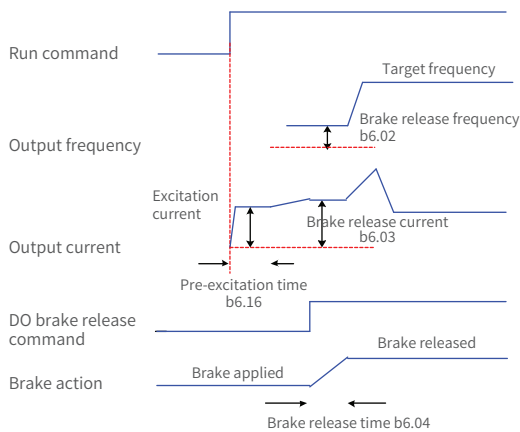
*2 Rated output current at default carrier frequency.

General specifications

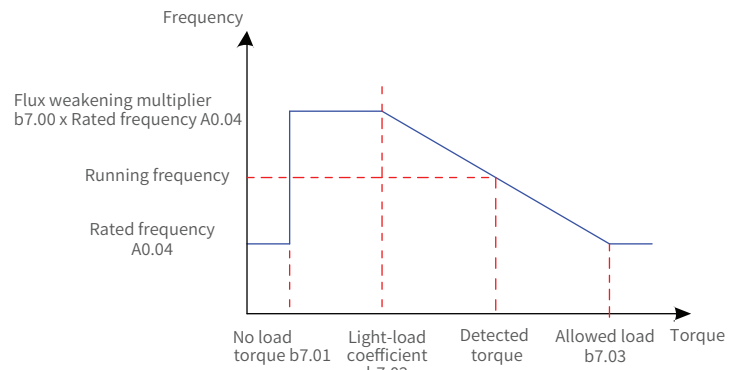
Voltage class $\text{CE} \text{ cULus}$		Three-phase 380 to 480 Vac						
Drive model: CS710-4TxxxG-INT ¹		200G	220G	250G	280G	315G	355G	400G
Frame size		T10		T11		T12		
Drive input	Rated input voltage	Three-phase 380 to 480 Vac -15% to +10%						
	Rated input current [A]	365	410	441	495	565	615	687
	Rated input frequency	50/60 Hz $\pm 5\%$						
Drive output	Applicable motor [kW]	200	220	250	280	315	355	400
	Output current [A] ²	377	426	465	520	585	650	725
	Default carrier frequency [kHz]	1.0-6.0 kHz						
	Overload capacity	150% for 60 s						
	Max. output voltage	Three-phase 380 to 480 Vac (proportional to input voltage)						
	Max. output frequency	500 Hz						
Braking resistor	Recommended power [kW]	50 x2	55 x2	63 x2	70 x2	80 x2	60 x3	67 x3
	Minimum resistance [Ω]	2.5 x2	2.5 x2	2.5 x2	2.5 x2	2.5 x2	2.5 x3	2.5 x3
Braking unit		MDBUN-200-5T x2				MDBUN-200-5T x3		
Enclosure		IP 00						

*1 For the standard AC drive, we recommend motor cable lengths to be <100 m. Where your installation exceeds 100 m, the “-L” version is an option with a built-in AC output reactor (1% voltage drop) which can help to overcome the effects of long cable installations. To discuss your application, contact your local Inovance representative.

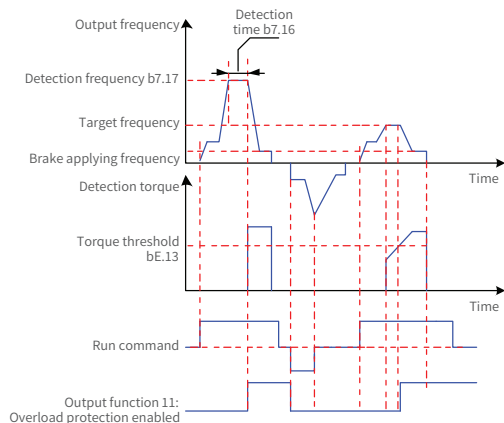
*2 Rated output current at default carrier frequency.



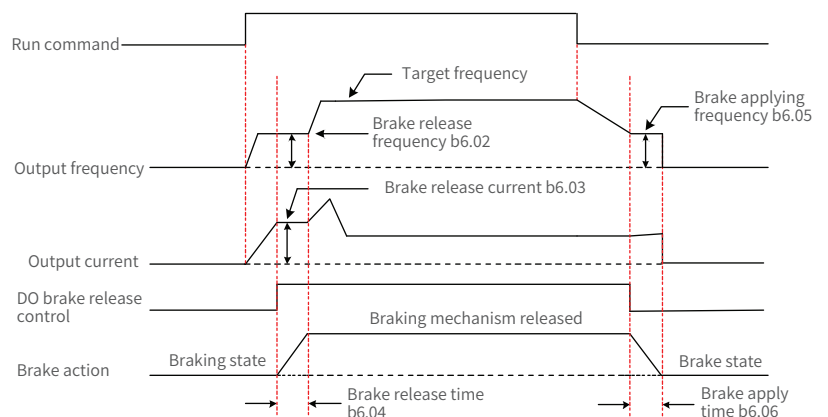
Pre-excitation function



Light load function

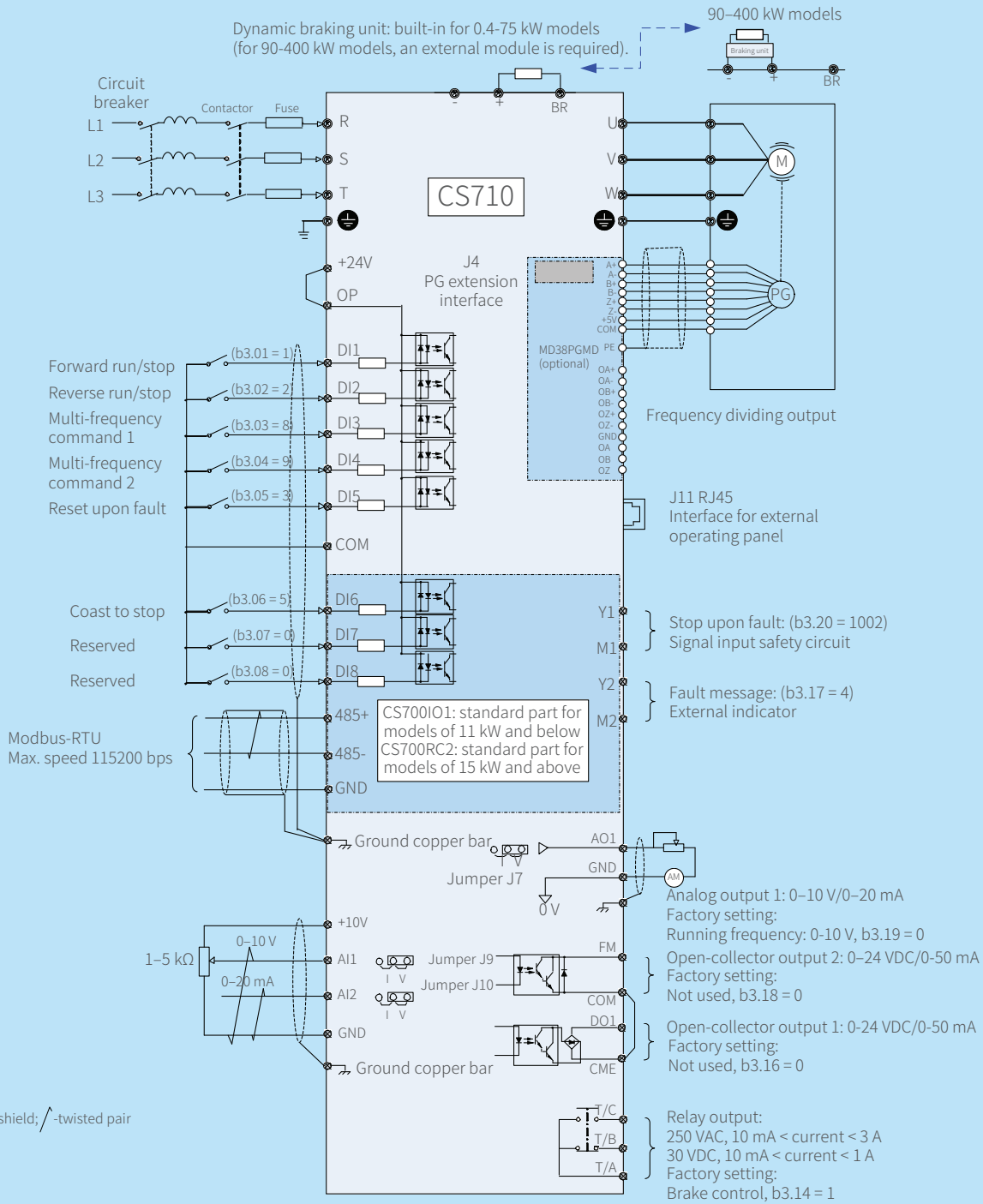


Overload protection



Brake control logic

Typical system connection diagram



Typical applications



Construction hoist



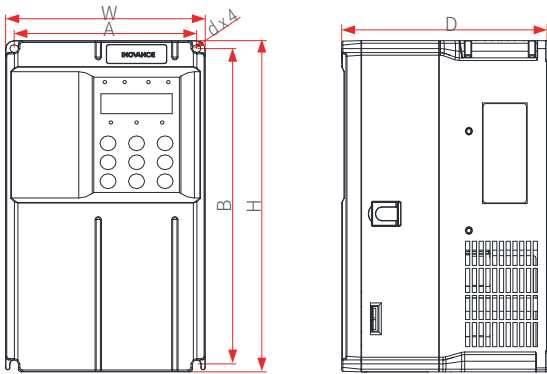
Overhead crane



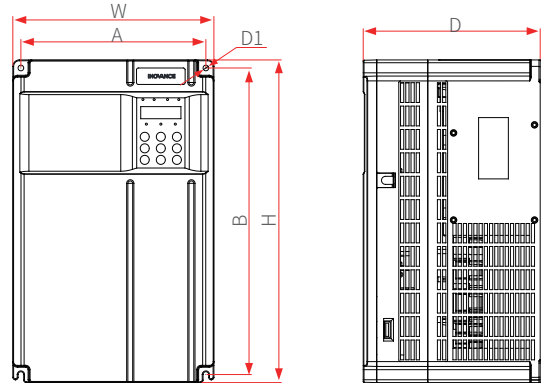
Gantry crane

Dimensions

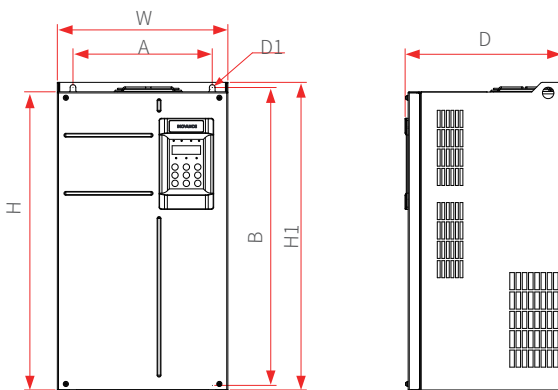
CS710-4T0.4GB to CS710-4T15GB



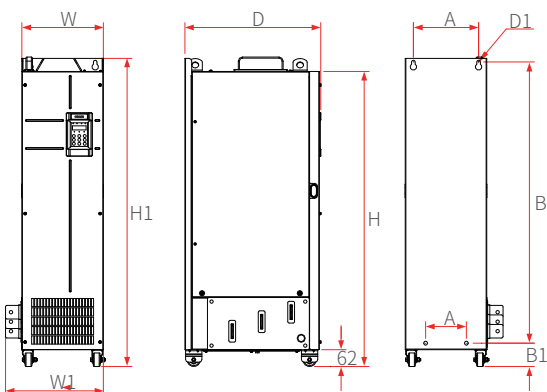
CS710-4T18.5GB to CS710-4T37GB



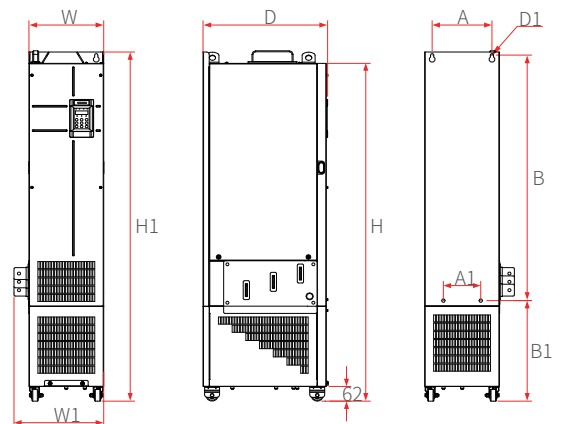
CS710-4T45GB to CS710-4T160G



CS710-4T200G to CS710-4T400G



CS710-4T200G-L to CS710-4T400G-L (built-in output reactor)



CS710 model	Model size	Dimensions (mm)										Mass (kg)
		A	A1	B	B1	H	H1	W	W1	D	D1	
CS710-4T0.4GB, CS710-4T0.7GB, CS710-4T1.1GB	T1	119	/	189	/	200	/	130	/	152	Ø5	1.6
CS710-4T1.5GB, CS710-4T2.2GB, CS710-4T3.0GB	T1	119	/	189	/	200	/	130	/	152	Ø5	1.6
CS710-4T3.7GB, CS710-4T5.5GB	T2	119	/	189	/	200	/	130	/	162	Ø5	2.0
CS710-4T7.5GB, CS710-4T11GB	T3	128	/	238	/	250	/	140	/	170	Ø6	3.3
CS710-4T15GB	T4	166	/	266	/	280	/	210	/	192	Ø6	3.1
CS710-4118.5GB, CS710-4T22GB	T5	195	/	335	/	350	/	210	/	192	Ø6	9.1
CS710-4T30GB, CS710-4T37GB	T6	230	/	380	/	400	/	250	/	220	Ø7	17.5
CS710-4T45GB, CS710-4T55GB	T7	245	/	523	/	525	542	300	/	275	Ø10	35
CS710-4T75GB, CS710-4T90G, CS710-4T110G	T8	270	/	560	/	554	580	338	/	315	Ø10	51.5
CS710-4T132G, CS710-4T160G	T9	320	/	890	/	874	915	400	/	320	Ø10	85
CS710-4T200G, CS710-4T220G	T10	240	150	1035	86	1086	1134	300	360	500	Ø13	110
CS710-4T200G-L, CS710-4T220G-L		240	150	1035	424	1424	1472	300	360	500	Ø13	160
CS710-4T250G, CS710-4T280G	T11	225	185	1175	97	1248	1248	330	390	545	Ø13	155
CS710-4T250G-L, CS710-4T280G-L		225	185	1175	437	1586	1622	330	390	545	Ø13	215
CS710-4T315G, CS710-4T355G, CS710-4T400G	T12	240	200	1280	101	1255	1405	340	400	545	Ø16	185
CS710-4T31G-L, CS710-4T355G-L, CS710-4T400G-L		240	200	1280	432	1683	1733	340	400	545	Ø16	245

Extension cards and mounting position

PG cards

MD38PGMD
Multifunctional

MD38PG4
Resolver

I/O cards

MD38IO1 MD38IO2 MD38IO3 CS700RC2 CS700IO1

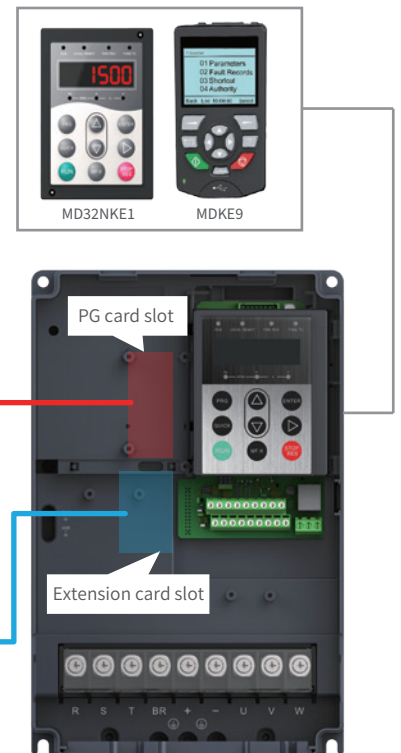
I/O card 1 I/O card 2 I/O card 3 I/O card 4 I/O card 5

Please note: CS700RC2 is the standard for models of 15 kW & above
CS700IO1 is the standard for models of 11 kW & below

Fieldbus cards

MD38CAN2 MD38TX1 MD38DP2 MD500-PN1

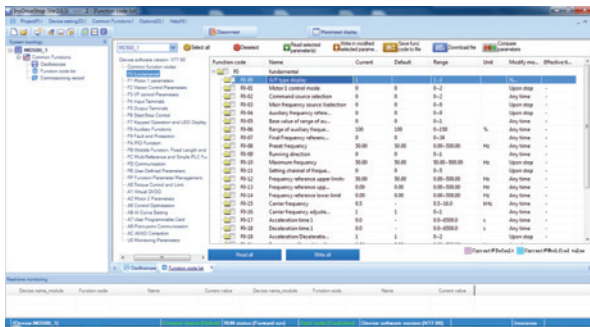
CANopen card Modbus RTU card PROFIBUS-DP card PROFINET communication card



PC software tools

InoDriveShop

InoDriveShop is Inovance's PC-based software offering. It is based on a familiar Windows interface. InoDriveShop can upload and download drive parameters, and features a variety of other functions, such as a real-time oscilloscope



Parameter uploading/downloading



Multi-drive, multi-channel oscilloscope

Accessories list

Category	Model	Function description	Suitable for
External braking units	MDBUN-60-2T	External braking unit, rated current 60 A, for supply input voltage 200 to 240 Vac AC drives.	2T models: 45G - 55G
	MDBUN-200-5T	External braking unit, rated current 200 A, for supply input voltage 380 to 480 Vac AC drives.	T models: 200G - 450G
	MDBUN-60-5T	External braking unit, rated current 60 A, for supply input voltage 380 to 480 Vac AC drives.	T models: 90G - 110G
	MDBUN-90-5T	External braking unit, rated current 90 A, for supply input voltage 380 to 480 Vac AC drives.	T models: 132G - 160G
Keypads	MD32NKE1	Remote LED keypad. Includes MDCAB cable.	All
	MDKE9	Remote LCD keypad. For parameter programming and monitoring, data copy (for various MD series). Includes MDCAB cable.	All
	MDCAB	3 meter connecting cable for remote keypad (spare unit).	All
	MDCAB-1.5	1.5 meter connecting cable for remote keypad (spare unit).	All
I/O cards	MD38IO1	I/O extension card 1, provides: 5x DI, 1x AI, 1x relay output, 1x DO, 1x AO, Modbus-RTU and CANlink.	Frame sizes T4-T12 (15 kW and above)
	MD38IO2	I/O extension card 2, provides 3x extra DI terminals.	All
	MD38IO3	I/O extension card 3, provides 3x DI, 1x relay output, Modbus-RTU interface.	All
	CS700RC2	Crane dedicated I/O extension card, provides 3x DI, 3x relay output, 1 RS485 Modbus-RTU interface.	Included as standard for models of 15 kW and above
	CS700IO1	Crane dedicated I/O extension card, provides 2x DI, 1x relay output, 1 RS485 Modbus-RTU interface.	Included as standard for models of 11 kW and below
Fieldbus	MD38CAN2	CANopen communication card.	All
	MD38TX1	Modbus-RTU communication card.	All
	MD38DP2	PROFIBUS-DP communication card.	Frame sizes T4-T12
	MD500-PN1	PROFINET communication card.	All
PG cards	MD38PG4	Interface card for resolver (10 kHz excitation) with DB9 connector.	All
	MD38PGMD	Multifunctional encoder card, compatible with differential, open-collector and push-pull encoder types. Supports differential output and open-collector output.	All
PC comms kit	MDPCKIT02	PC comms kit.	All
Mounting brackets	MD500-AZJ-A1T1	Through hole mounting bracket - MD290/MD500 for frame T1.	Frame size T1
	MD500-AZJ-A1T2	Through hole mounting bracket - MD290/MD500 for frame T2.	Frame size T2
	MD500-AZJ-A1T3	Through hole mounting bracket - MD290/MD500 for frame T3.	Frame size T3
	MD500-AZJ-A1T4	Through hole mounting bracket - MD290/MD500 for frame T4.	Frame size T4
	MD500-AZJ-A1T5	Through hole mounting bracket - MD290/MD500 for frame T5.	Frame size T5
	MD500-AZJ-A1T6	Through hole mounting bracket - MD290/MD500 for frame T6.	Frame size T6
	MD500-AZJ-A1T7	Through hole mounting bracket - MD290/MD500 for frame T7.	Frame size T7
	MD500-AZJ-A1T8	Through hole mounting bracket - MD290/MD500 for frame T8.	Frame size T8
	MD500-AZJ-A1T9	Through hole mounting bracket - MD290/MD500 for frame T9.	Frame size T9
Guide rails	MD500-AZJ-A3T10	Guide rails for inserting in/ extracting from the cabinet - frame sizes T10 to T12.	Frame sizes T10-T12

Driven by Technology

AC Drives



AC MultiDrives



MV Drives



Single-Axis Servos



Multi-Axis Servos



Robotics & Motion Controllers



PLCs & HMIs



CNC Machine Tool Solutions



Elevator Drives



For more information, please contact our local offices.

International Offices

Germany-Stuttgart
Tel: +49 (0) 7144 8990
sales.de@inovance.eu

Spain-Barcelona
Tel: +34 93 504 94 48
sales.es@inovance.eu

India
Head Office Chennai Tel: +91 (0) 44 4380 0201
Ahmedabad Tel: +91 (0) 79 4003 4274
Mumbai Tel: +91 (0) 22 4971 5883
New Delhi Tel: +91 (0) 11 4165 4524

Hong Kong SAR
International export office
Tel: +852 2751 6080
info@inovance.eu

Italy-Milano
Tel: +39 (0) 2268 22318
sales.it@inovance.eu

Turkey-Istanbul
Tel: +90 (216) 706 17 89
sales.tr@inovance.eu

Sales Network in Kolkata, Bengaluru, Pune, Coimbatore, Hyderabad, Vadodara, Jaipur
info@inovance.ind.in

For other country distributors, contact the Hong Kong office.

Inovance Technology Companies
Shenzhen Inovance Technology Co. Ltd.
Suzhou Inovance Technology Co. Ltd.

France-Bordeaux
Tel: +33 (0) 5594 01050
sales.fr@inovance.eu

South Korea-Seoul
Tel: +82 2 3489 8850
sales.kr@inovance.eu

INOVANCE
www.inovance.eu