

## GL20 Series

Compact, flexible, high-speed distributed I/O system



- Compact footprint
- Easy installation, wiring and replacement
- Fast response times (microsecond range)
- Conformal coating - compliant with 3C3 and 3S2
- Multiprotocol

EtherCAT<sup>®</sup>

PROFINET



# Expansion capability

## GL20 expansion modules

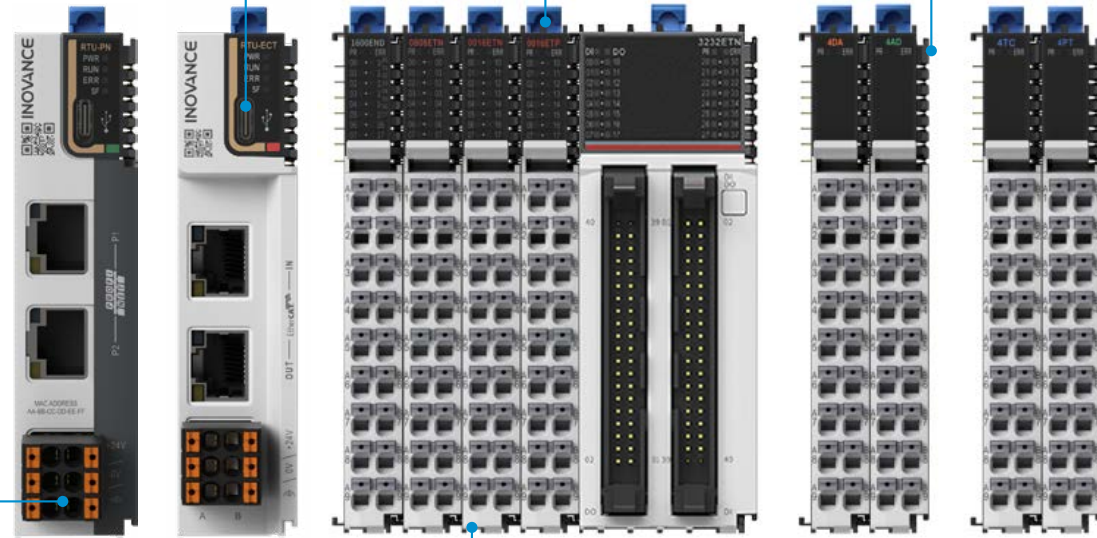


NEW generation slim and compact distributed I/O system from **INOVANCE**, with faster response times, easy connection via spring clamp terminals, and a wider offer of communication protocols and I/O expansion modules, compared to previous generations.

**Firmware update** can be done through TYPE-C USB port, to connect the PC with the firmware update tool

Independent status diagnosis LED indicators; coloured letters for **quick identification of I/O functions**

**D-BUS connector design** with gold plated terminals to give high protection against corrosion



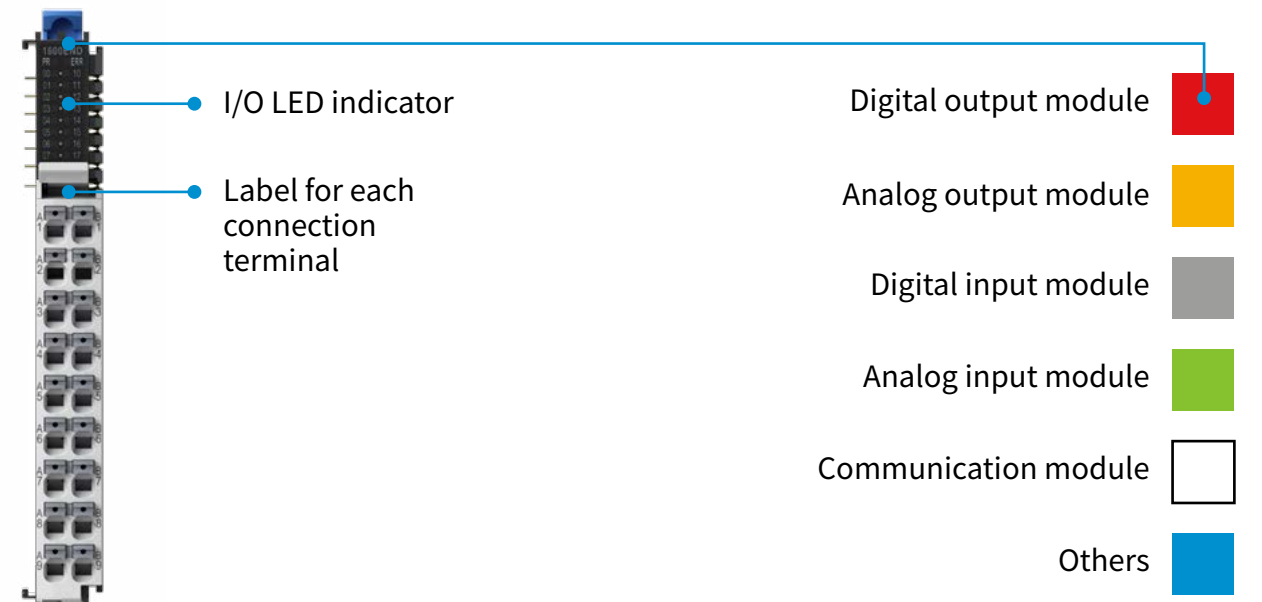
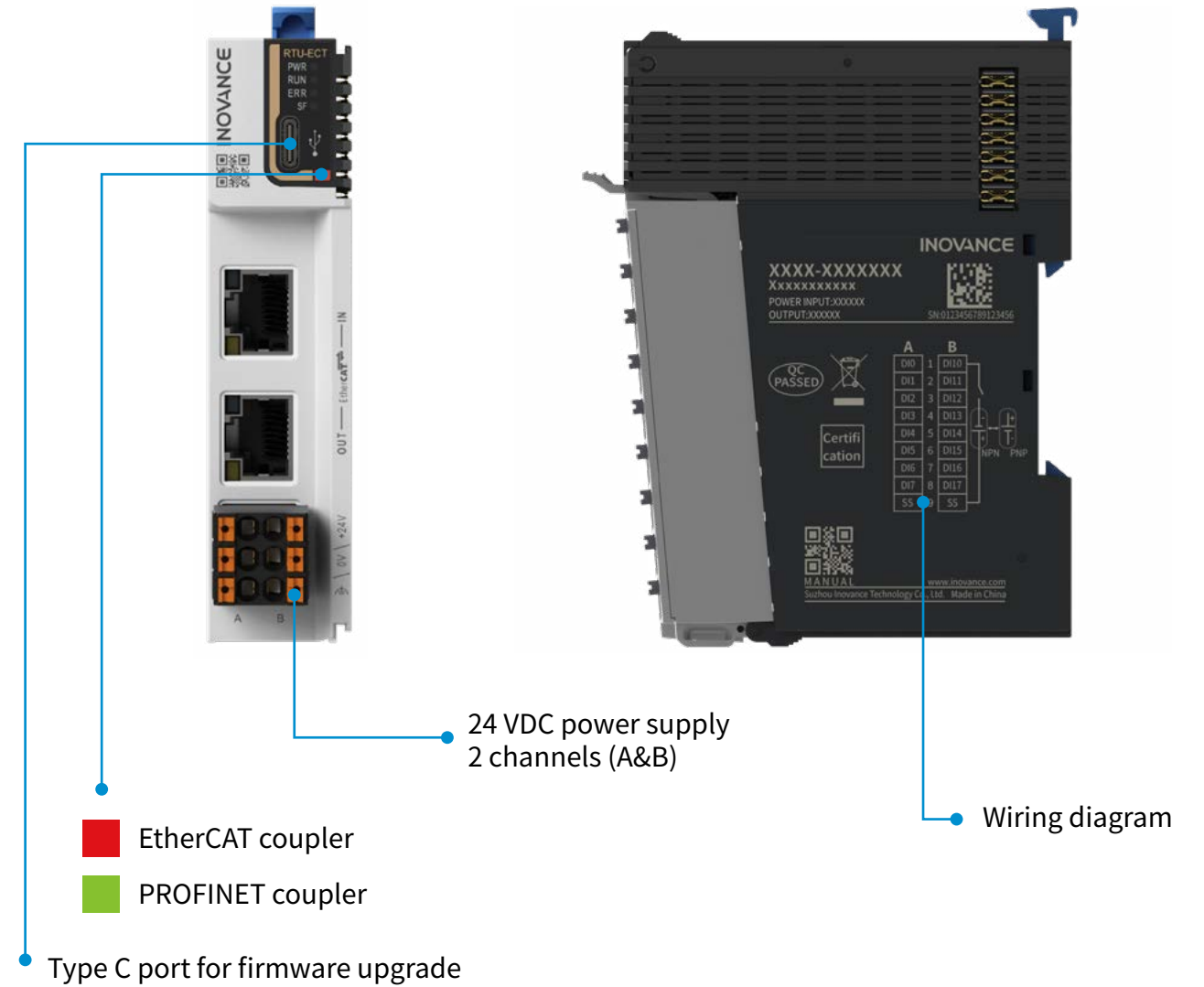
**Redundant power supply terminals** (left and right internally shorted) for easy daisy chain connection

**Removable terminals** to allow **quick module replacement** without disconnecting cables

**Push-in terminals with large aperture** to fit various types of cables and allow easy wiring



100 M local bus





# Expansion capability

## GL20 expansion modules

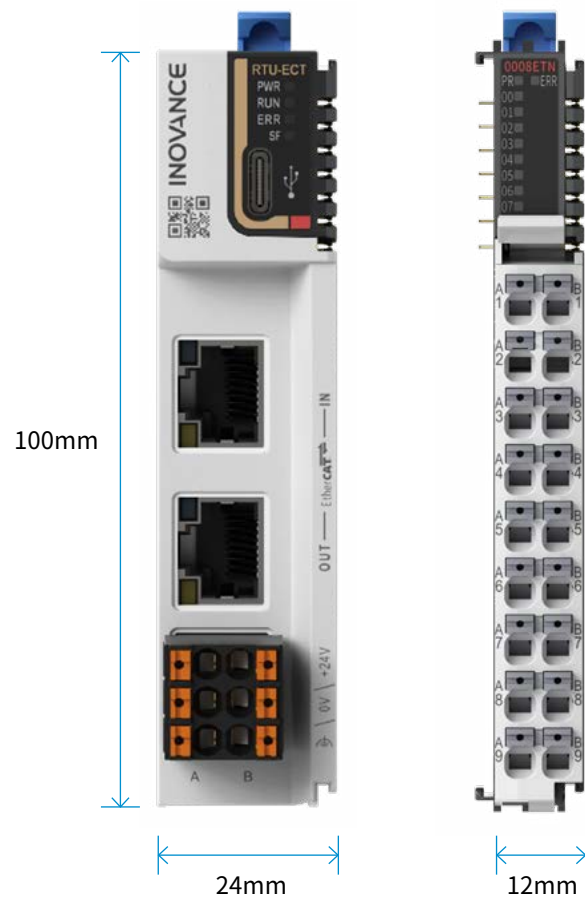
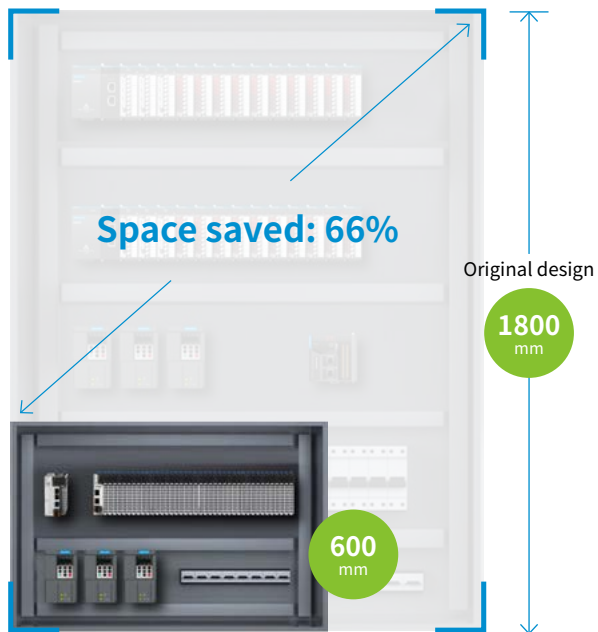


### Compact Size

Saves 2/3 of the space in the cabinet compared to the previous generation I/O series

### Space utilisation maximised

Thickness reduced to 12mm  
2/3 cabinet space saved



## Compact design and tool-free wiring



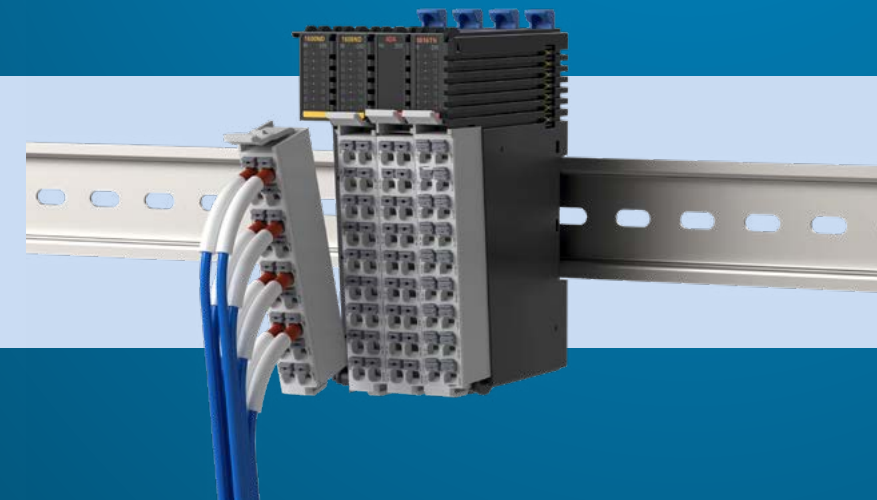
Simple lever system allows easy removal of individual modules from the DIN rail



Easy wiring with spring-type terminals, with large 1.5mm² apertures



Easy module removal



Removable terminals minimize installation errors

## Expansion capability

### GL20 EtherCAT bus coupler



EtherCAT®

- ✓ Min. cycle time of 125 microseconds
- ✓ Allows EtherCAT alias configuration
- ✓ USB-C port for firmware upgrade

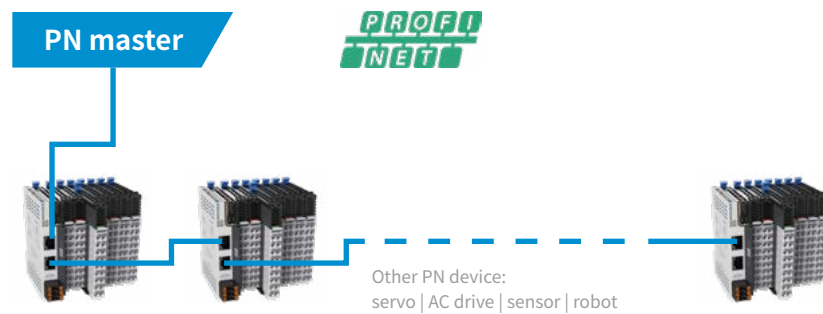
The bus coupler module supports up to 16 I/O expansion modules. If more than 16 modules are required, an additional GL20-PS2 power supply module is needed. To find the optimal solution, please consult with your local Inovance representative.

Item	Specification
Material code	01440286
Model	GL20-RTU-ECT
IP rating	IP20
Certification	CE & UL

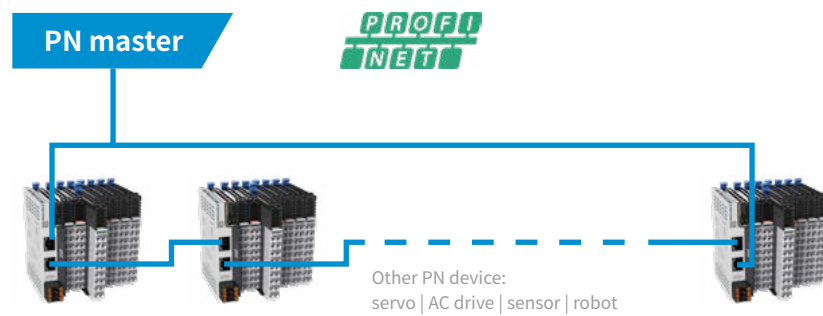
Power supply	
Rated voltage of terminal input power supply	24 VDC (20.4 VDC to 28.8 VDC)
Rated current of terminal input power supply	0.6 A (typical value: 24 V)
Rated voltage of bus input power supply	5 VDC (4.75 VDC to 5.25 VDC)
Rated current of bus input power supply	2 A (typical value: 5 V)
Power output derating	Operation at ambient temperatures between 45 and 55°C can be achieved by applying a derating of up to 85% (the output current cannot exceed 1.7 A)
Power supply protection	Overcurrent, reverse-connection and surge protection
Ambient operating temperature	-20°C to 55°C
Ambient operating humidity	<95% RH, non-condensing
Atmosphere	Free from corrosive gases
Ambient storage temperature	-20°C to 60°C (<90% RH, non-condensing)
Altitude	Below 2,000 m (80 kPa)
Pollution degree	PD2
Noise immunity	2 kV on power supply line (Conforms to IEC 61000-4-4)
Overvoltage category	II
EMC immunity level	Zone B, IEC 61131-2
Vibration resistance	IEC 60068-2-6
Shock resistance	IEC 60068-2-27
Size (WxHxD: mm)	24x100x83

# Expansion capability

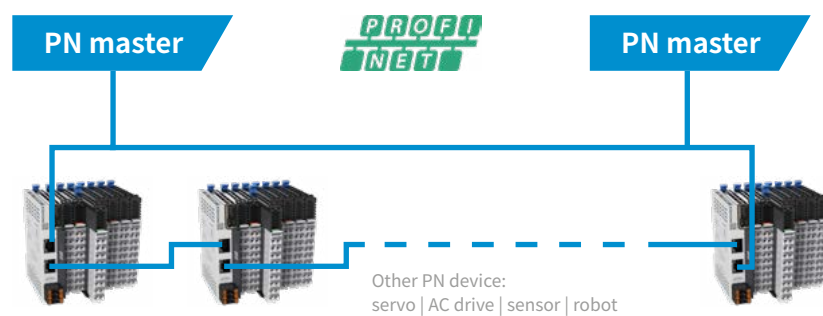
## GL20 PROFINET bus coupler



✓ **Comm mode: RT**  
Min cycle: 1ms



✓ **MRP**  
Up to 50 devices



✓ **Memory (device) share**

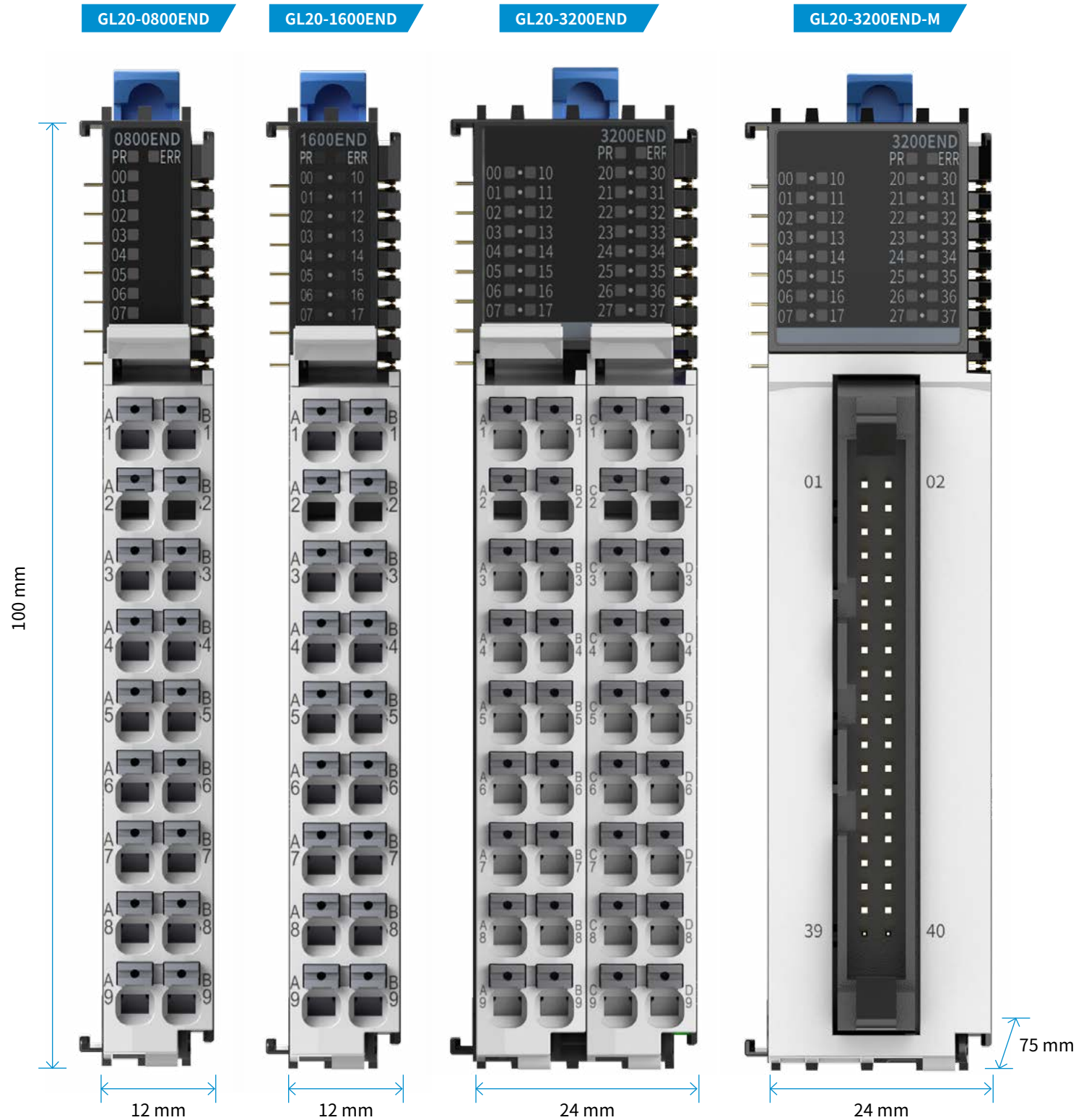
Note: The bus coupler module supports up to 16 I/O expansion modules. If more than 16 modules are required, an additional GL20-PS2 power supply module is needed. To find the optimal solution, please consult with your local Inovance representative.

Item	Specification
Material code	01440289
Model	GL20-RTU-PN
IP rating	IP20
Certification	CE & UL
<b>Power supply</b>	
Rated voltage of terminal input power supply	24 VDC (20.4 VDC to 28.8 VDC)
Rated current of terminal input power supply	0.6 A (typical value: 24 V)
Rated voltage of bus input power supply	5 VDC (4.75 VDC to 5.25 VDC)
Rated current of bus input power supply	2 A (typical value: 5 V)
Power output derating	Operation at ambient temperatures between 45 and 55°C can be achieved by applying a derating of up to 80% (the output current cannot exceed 1.6 A)
Power supply protection	Overcurrent, reverse-connection and surge protection
Ambient operating temperature	-20°C to 55°C
Ambient operating humidity	<95% RH, non-condensing
Atmosphere	Free from corrosive gases
Ambient storage temperature	-20°C to 60°C (<90% RH, non-condensing)
Altitude	Below 2,000 m (80 kPa)
Pollution degree	PD2
Noise immunity	2 kV on power supply line (Conforms to IEC 61000-4-4)
Overvoltage category	II
EMC immunity level	Zone B, IEC 61131-2
Vibration resistance	IEC 60068-2-6
Shock resistance	IEC 60068-2-27
Size (WxHxD: mm)	24x100x83



# Expansion capability

## GL20 digital inputs (PNP/NPN)

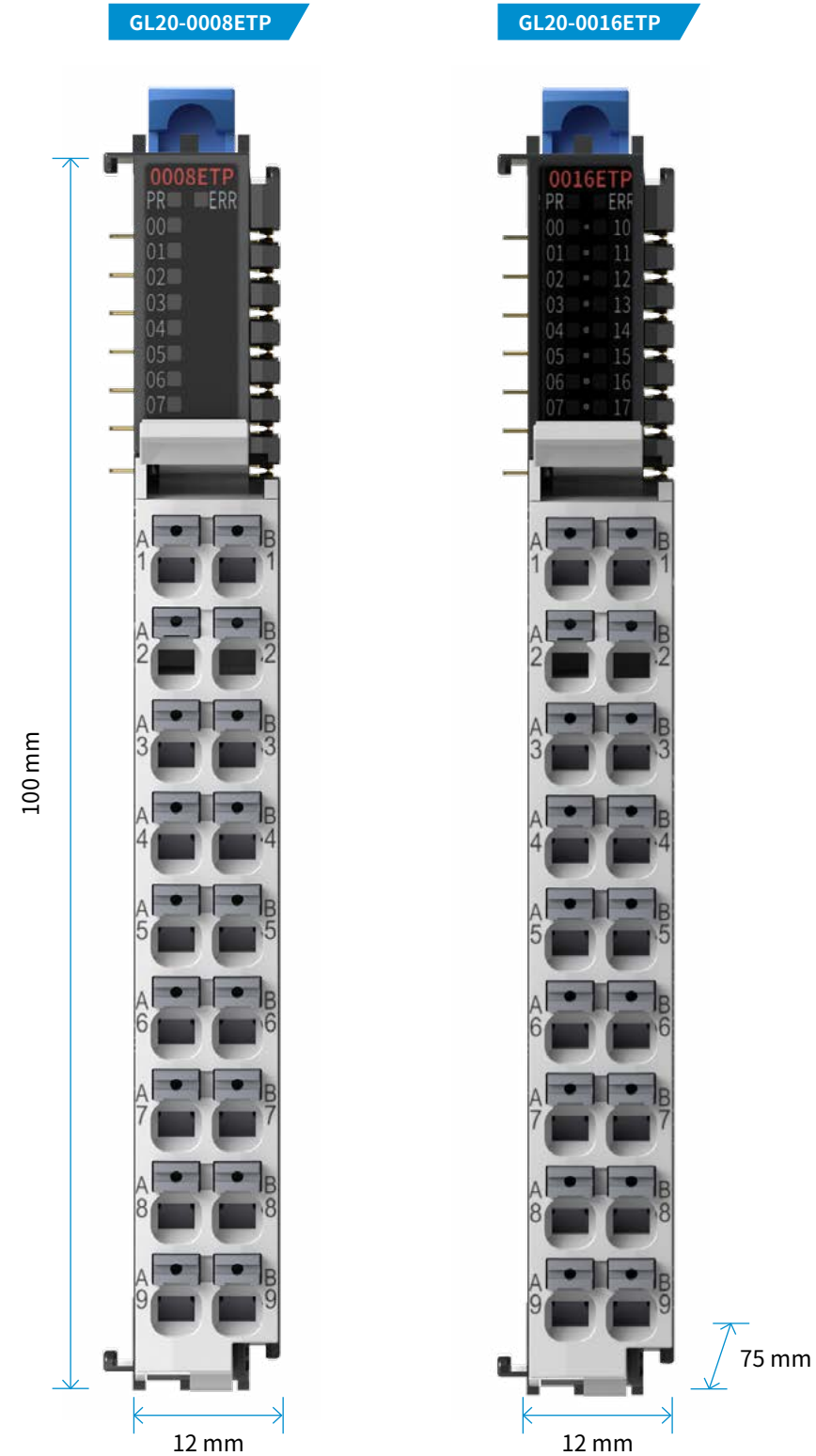


Requires external terminal block  
T024-K and extension cable

Item	Specification			
Material code	01440381	01440291	01440466	01440378
Model	GL20-0800END	GL20-1600END	GL20-3200END	GL20-3200END-M
IP rating	IP20			
Certification	CE & UL	CE & UL	CE	CE
Ambient temperature	-20 °C to +55 °C			
<b>Power supply</b>				
Rated voltage of bus input power supply	5 VDC (4.75 VDC ~ 5.25 VDC)			
Rated current of bus input power supply	100 mA (typical at 5 V)	100 mA (typical at 5 V)	60 mA (typical at 5 V)	125 mA (typical at 5 V)
Rated voltage of terminal input power supply	N/A			
Rated current of terminal input power supply	N/A			
Module hot swap function	Not supported			
<b>Input</b>				
Input mode	Digital input			
Input type	Source/Sink type (PNP/NPN)			
Number of input channels	8	16	32	32
Input voltage class	24 VDC ± 10% (21.6 VDC to 26.4 VDC)			
Input current (typical)	4 mA (typical value at 24 V)			
ON voltage	> 15 VDC			
OFF voltage	< 5 VDC			
Hardware response time (ON/OFF)	100 us/100 us			
Software filter time	Supported			
Input impedance	Reference value 5.3 k to 5.6 k			
Isolation	Yes			
Protective functions	/			

# Expansion capability

## GL20 digital outputs (PNP)



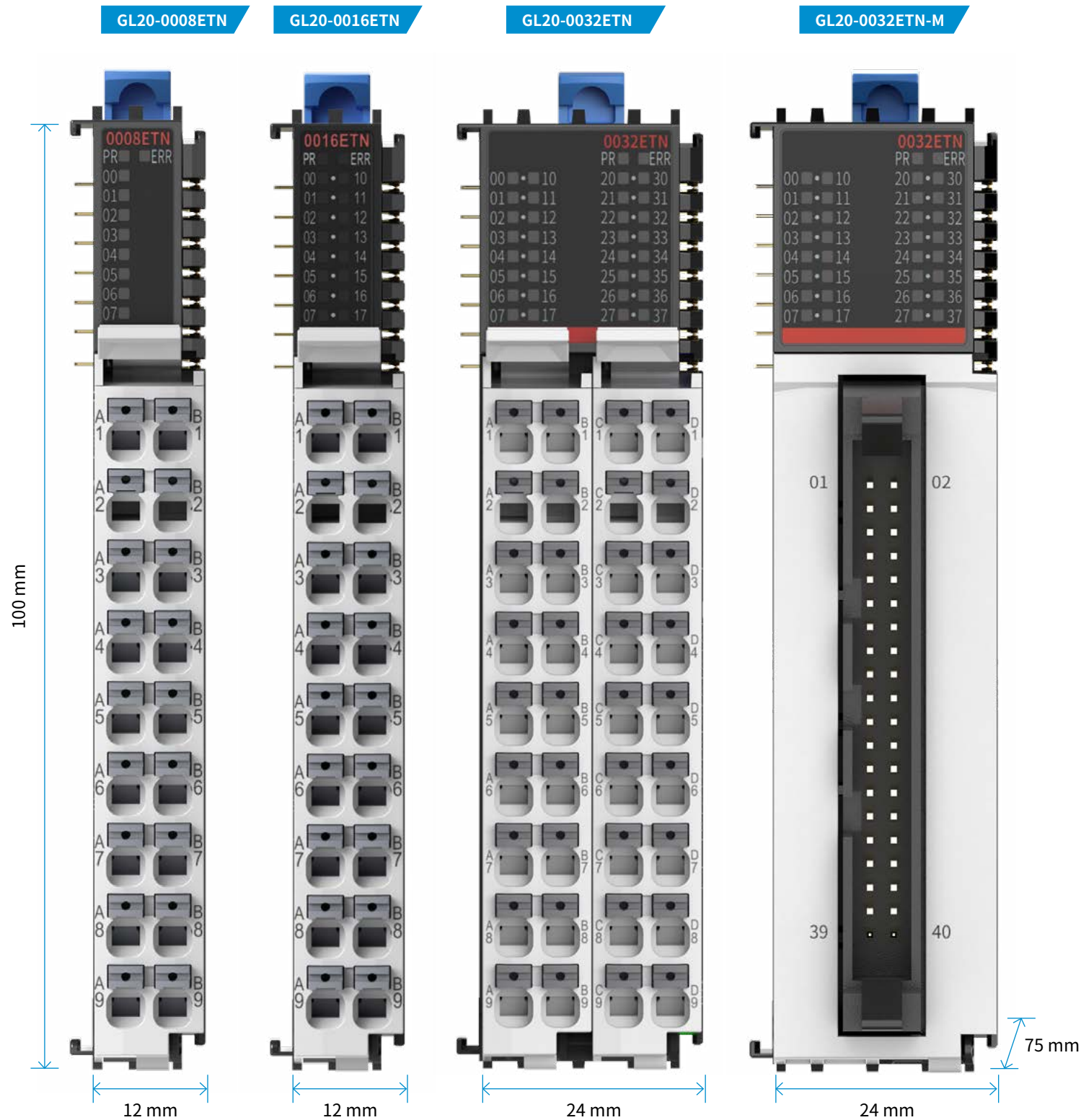
Item	Specification	
Material code	01440380	01440292
Model	GL20-0008ETP	GL20-0016ETP
IP rating	IP20	
Certification	CE & UL	CE & UL
Ambient temperature	-20°C to +55°C	

Power supply	
Rated voltage of bus input power supply	5 VDC (4.75 VDC ~ 5.25 VDC)
Rated current of bus input power supply	85 mA (typical value at 5 V)
Rated voltage of terminal input power supply	24 VDC (20.4 VDC to 28.8 VDC)
Rated current of terminal input power supply	2 A (typical value at 24 V)
Module hot swap function	Not supported

Output	
Output mode	Digital output, transistor high-side output
Output type	Source type (PNP)
Number of output channels	8 <span style="float: right;">16</span>
Output voltage class	24 VDC ± 10% (21.6 VDC to 26.4 VDC)
Output load (resistive load)	0.5 A/point, 4 A/module
Output load (inductive load)	7.2 W/point, 24 W/module
Output load (lamp load)	5 W/point, 18 W/module
Hardware response time (ON/OFF)	100 μs/100 μs
Leakage current upon OFF	10 μA
Switching frequency	100 Hz for resistive load, 0.5 Hz for inductive load, 10 Hz for lamp load
Isolation	Yes
Protective functions	Short circuit and overcurrent protection

# Expansion capability

## GL20 digital outputs (NPN)



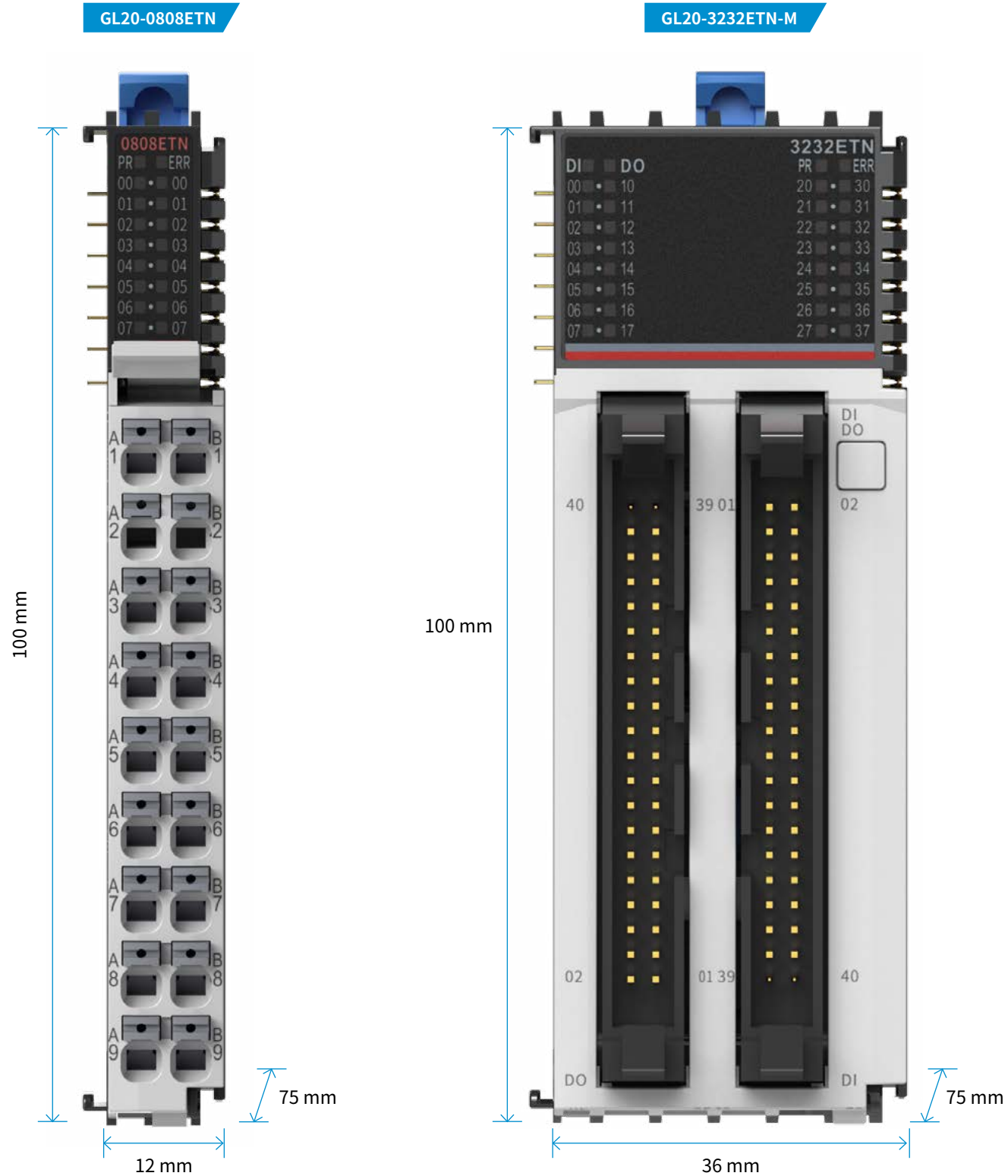
Requires external terminal block T024-K and extension cable

Item	Specification			
Material code	01440379	01440293	01440467	01440377
Model	GL20-0008ETN	GL20-0016ETN	GL20-0032ETN	GL20-0032ETN-M
IP rating	IP20			
Certification	CE & UL	CE & UL	CE	CE
Ambient temperature	-20 °C to +55 °C			
<b>Power supply</b>				
Rated voltage of bus input power supply	5 VDC (4.75 VDC ~ 5.25 VDC)			
Rated current of bus input power supply	100 mA (typical at 5 V)	100 mA (typical at 5 V)	125 mA (typical at 5 V)	125 mA (typical at 5 V)
Rated voltage of terminal input power supply	24 VDC (20.4 VDC to 28.8 VDC)			
Rated current of terminal input power supply	12 mA (typical value at 24 V)	12 mA (typical value at 24 V)	100 mA (typical value at 24 V)	100 mA (typical value at 24 V)
Module hot swap function	Not supported			
<b>Output</b>				
Output mode	Digital output, transistor low-side output			
Output type	Sink type (NPN)			
Number of output channels	8	16	32	32
Output voltage class	24 VDC ±10% (21.6 VDC to 26.4 VDC)			
Output load (resistive load)	0.5 A/point, 4 A/module	0.5 A/point, 4 A/module	0.5 A/point, 8 A/module	0.5 A/point, 8 A/module
Output load (inductive load)	7.2 W/point, 24 W/module	7.2 W/point, 24 W/module	7.2 W/point, 48 W/module	7.2 W/point, 48 W/module
Output load (lamp load)	5 W/point, 18 W/module	5 W/point, 18 W/module	5 W/point, 36 W/module	5 W/point, 36 W/module
Hardware response time (ON/OFF)	100 µs/100 µs			
Leakage current upon OFF	10 µA			
Switching frequency	100 Hz for resistive load, 0.5 Hz for inductive load, 10 Hz for lamp load			
Isolation	Yes			
Protective functions	Short circuit and overcurrent protection			



# Expansion capability

## GL20 digital inputs (PNP/NPN) & outputs (NPN)



Item	Specification	
Material code	01440339	01440290
Model	GL20-0808ETN	GL20-3232ETN-M
IP rating	IP20	
Certification	CE & UL	CE
Ambient temperature	-20°C to +55°C	

Power supply		
Rated voltage of bus input power supply	5 VDC (4.75 VDC ~ 5.25 VDC)	
Rated current of bus input power supply	85 mA (typical at 5 V)	250 mA (typical at 5 V)
Rated voltage of terminal input power supply	24 VDC (20.4 VDC ~ 28.8 VDC)	
Rated current of terminal input power supply	12 mA (typical value at 24 V)	24 mA (typical value at 24 V)
Module hot swap function	Not supported	

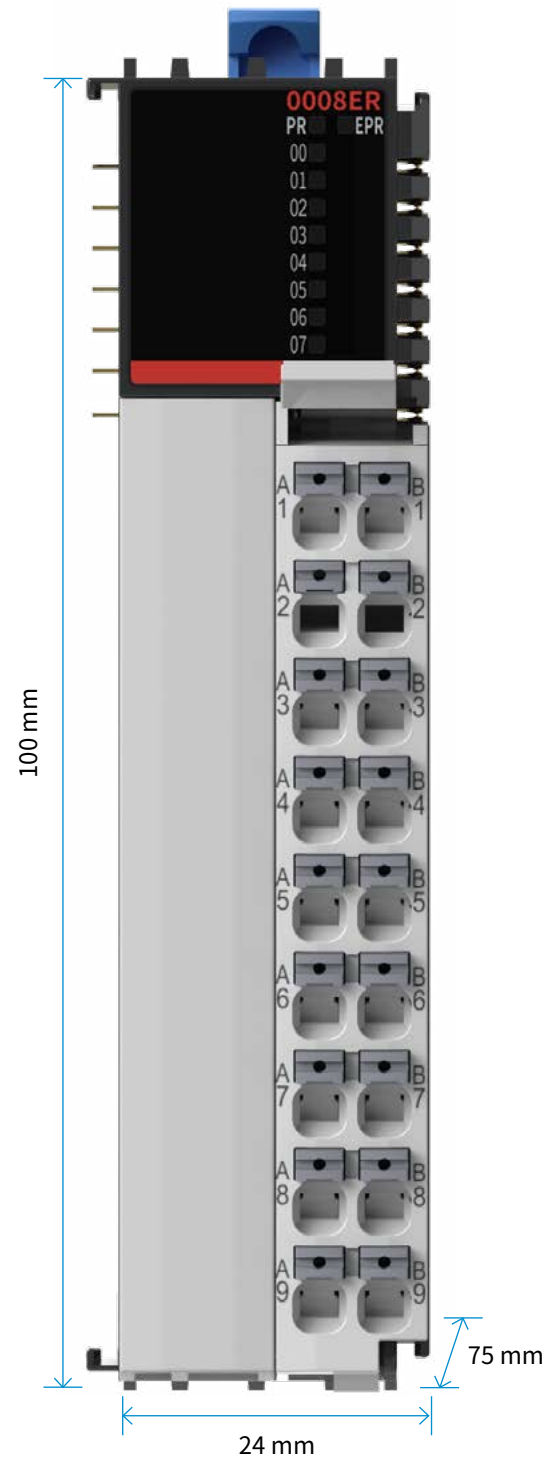
Input		
Input mode	Digital input	
Input type	Sink type (NPN)	Source/Sink type (PNP/NPN)
Number of input channels	8	32
Input voltage class	24 VDC ± 10% (21.6 VDC to 26.4 VDC)	
Input current (typical)	4 mA (typical value at 24 V)	
ON voltage	> 15 VDC	
OFF voltage	< 5 VDC	
Hardware response time (ON/OFF)	100 us/100 us	
Software filter time	Supported	
Input impedance	Reference value 5.3 k to 5.6 k	
Isolation	Yes	
Protective functions	/	

Output		
Output type	Digital output, transistor low-side output	
Output method	Sink type (NPN)	
Output channel	8	32
Output voltage class	24 VDC ± 10% (21.6 VDC to 26.4 VDC)	
Output load (resistive load)	0.5 A/point, 4 A/module	0.5 A/point, 8 A/module
Output load (inductive load)	7.2 W/point, 24 W/module	7.2 W/point, 48 W/module
Output load (lamp load)	5 W/point, 18 W/module	5 W/point, 36 W/module
Hardware response time ON/OFF	100 us/100 us	
Leakage current upon OFF	10 uA	
Switching frequency	100 Hz for resistive load, 0.5 Hz for inductive load, 10 Hz for lamp load	
Isolation	Yes	
Protective functions	Short circuit and overcurrent protection	

# Expansion capability

## Relay outputs

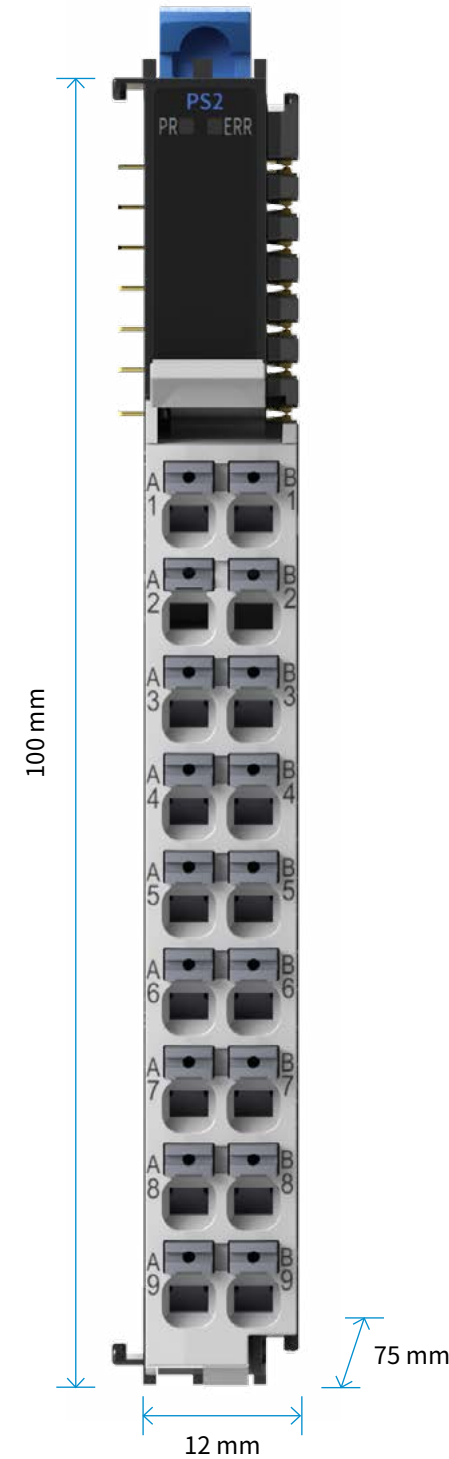
GL20-0008R



Item	Specification
<b>Material code</b>	01440334
<b>Model</b>	GL20-0008R
<b>IP rating</b>	IP20
<b>Certification</b>	CE & UL
<b>Ambient temperature</b>	-20°C to +55°C
<b>Power supply</b>	
<b>Rated voltage of bus input power supply</b>	5 VDC (4.75 VDC ~ 5.25 VDC)
<b>Rated current of bus input power supply</b>	85 mA (typical at 5 V)
<b>Rated voltage of terminal input power supply</b>	24 VDC (21.6 VDC ~ 26.4 VDC)
<b>Rated current of terminal input power supply</b>	50 mA (typical value at 24 V)
<b>Module hot swap function</b>	Not supported
<b>Output</b>	
<b>Output type</b>	Digital output, relay output
<b>Output method</b>	Dry contact
<b>Output channel</b>	8
<b>Output voltage level</b>	250 V AC/30 VDC
<b>Output load (resistive load)</b>	2 A/point, 8 A/module
<b>Output load (inductive load)</b>	1 A/point, 4 A/module
<b>Output load (lamp load)</b>	30 W/point, 120 W/module
<b>Hardware response time ON/OFF</b>	About 15ms
<b>Minimum load</b>	5 VDC, 5 mA
<b>On-off level</b>	No more than 6 times per minute (exceeding this will cause the switch to fail or even be damaged)
<b>Whether to isolate</b>	Yes
<b>Output action display</b>	When the output is in the driving state, the output indicator is on (software control)
<b>Output derating</b>	Derating 50% when working at 55°C (at the same time, the output current of ON does not exceed 4A), or derate 10°C when all output points are ON
<b>Protective function</b>	None

## Power supply expansion

GL20-PS2



Item	Specification
<b>Material code</b>	01440351
<b>Model</b>	GL20-PS2
<b>IP rating</b>	IP20
<b>Certification</b>	CE & UL
<b>Ambient temperature</b>	-20°C to +55°C
<b>Power supply</b>	
<b>Rated voltage of bus output power supply</b>	5 VDC (4.5 VDC to 5.5 VDC)
<b>Rated current of bus output power supply</b>	2 A (typical at 5 V)
<b>Rated voltage of terminal input power supply</b>	24 VDC (20.4 VDC ~ 28.8 VDC)
<b>Rated current of terminal input power supply</b>	0.5 A (typical at 24 V)
<b>Terminal current capacity</b>	4 A max.
<b>24V input anti-reverse</b>	Supported
<b>Power isolation</b>	Not supported

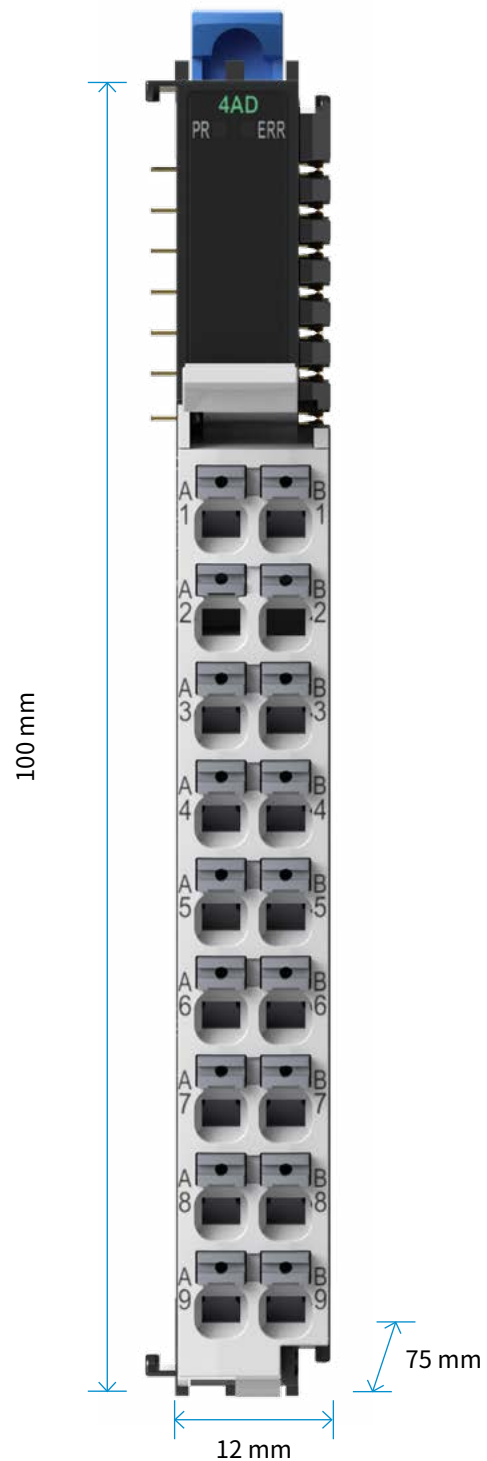
NOTE: The rated current of the internal bus of the coupler is 2 A. If a higher current is required, a combination of the bus coupler and the power supply expansion module GL20-PS2 should be used. Consult with your local Inovance office for correct use of this module.



# Expansion capability

## GL20 analog inputs & outputs

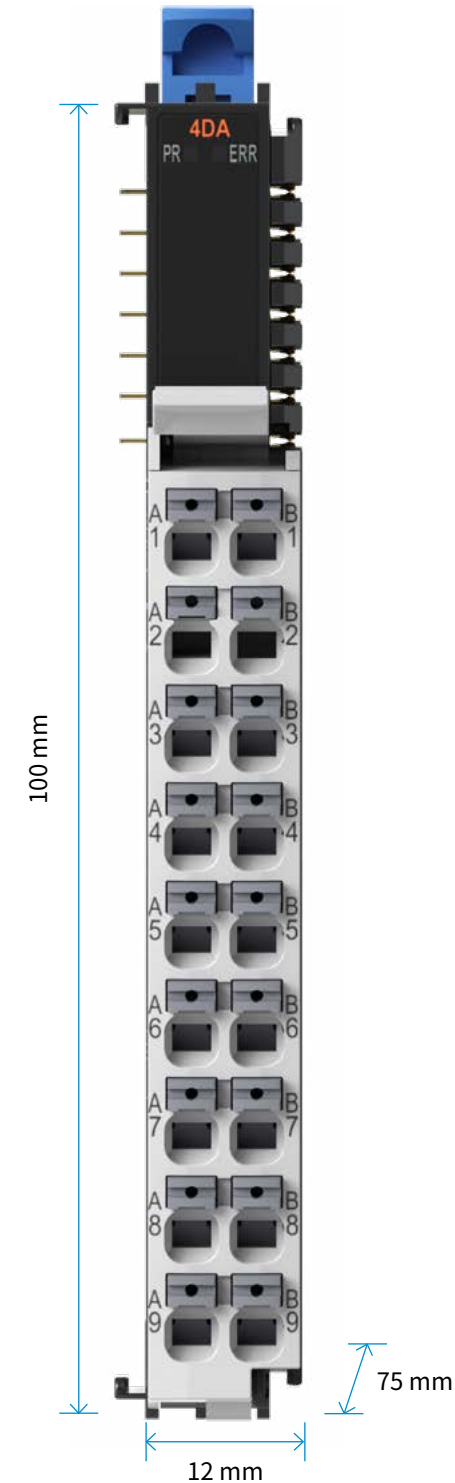
GL20-4AD



16-bit resolution

Item	Specification
Material code	01440288
Model	GL20-4AD
IP rating	IP20
Certification	CE & UL
Ambient temperature	-20 °C to +55 °C
<b>Power supply</b>	
Rated voltage of bus input power supply	5 VDC (4.75 VDC to 5.25 VDC)
Rated current of bus input power supply	120 mA (typical value at 5 V)
Rated voltage of terminal input power supply	24 VDC (20.4 VDC to 28.8 VDC)
Rated current of terminal input power supply	50 mA (typical value at 24 V)
Hot swapping function	Not supported
<b>Input</b>	
Input mode	Analog input
Input type	Voltage/Current
Number of input channels	4
Resolution	16-bit
Conversion time	60 us/channel
Voltage input range	±10 V, 0 V to 10 V, ±5 V, 0 V to 5 V, 1 V to 5 V
Voltage input impedance	1 MΩ
Voltage input precision (25°C)	±0.1% (full range)
Voltage input precision (full temperature range)	±0.2% (full range)
Voltage input limit	±15 V
Voltage input diagnosis	Open-circuit detection not supported
Current input range	±20 mA, 0 mA to 20 mA, 4 mA to 20 mA
Current sampling impedance	250 Ω
Current input precision (25°C)	±0.1% (full range)
Current input precision (full temperature range)	±0.2% (full range)
Current input limit	Transient: ±30 mA; Average: ±24 mA
Current input diagnosis	Open-circuit detection supported only when input current configured as 4 mA to 20 mA
Isolation	Partially isolated (The power supply is isolated from the interface. The interface is isolated from the bus, but interface channels are not isolated from each other.)

GL20-4DA



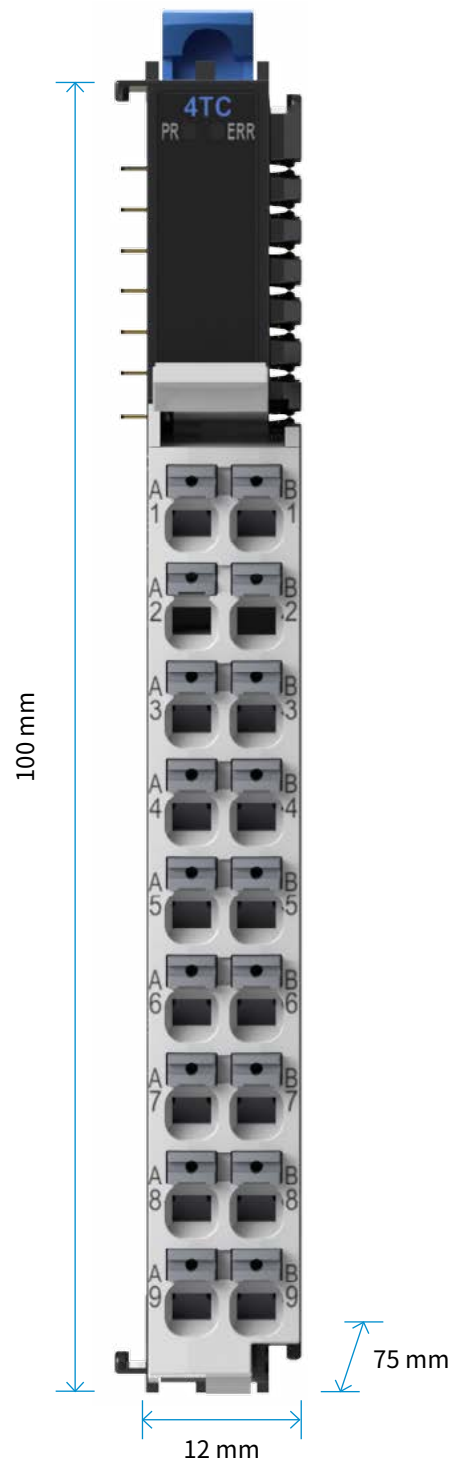
16-bit resolution

Item	Specification
Material code	1440287
Model	GL20-4DA
IP rating	IP20
Certification	CE & UL
Ambient temperature	-20 °C to +55 °C
<b>Power supply</b>	
Rated voltage of bus input power supply	5 VDC (4.75 VDC to 5.25 VDC)
Rated current of bus input power supply	120 mA (typical value at 5 V)
Rated voltage of terminal input power supply	24 VDC (20.4 VDC to 28.8 VDC)
Rated current of terminal input power supply	100 mA (typical value at 24 V)
Hot swapping function	Not supported
<b>Output</b>	
Output mode	Analog output
Output type	Voltage/Current
Number of output channels	4
Resolution	16-bit
Conversion time	60 us/channel
Voltage output range	±10 V, 0 V to 10 V, ±5 V, 0 V to 5 V, 1 V to 5 V
Voltage output load	1 kΩ
Voltage output precision (25°C)	±0.1% (full range)
Voltage output precision (full temperature range)	±0.5% (full range)
Voltage output diagnosis	Open-circuit detection and over-temperature protection supported
Current output range	0 mA to 20 mA, 4 mA to 20 mA
Current output load	0 Ω to 600 Ω
Current output precision (25°C)	±0.1% (full range)
Current output precision (full temperature range)	±0.5% (full range)
Current output diagnosis	Open-circuit detection and over-temperature protection supported
Isolation	Partially isolated (The power supply is isolated from the interface. The interface is isolated from the bus, but interface channels are not isolated from each other.)

# Expansion capability

## GL20 temperature detection

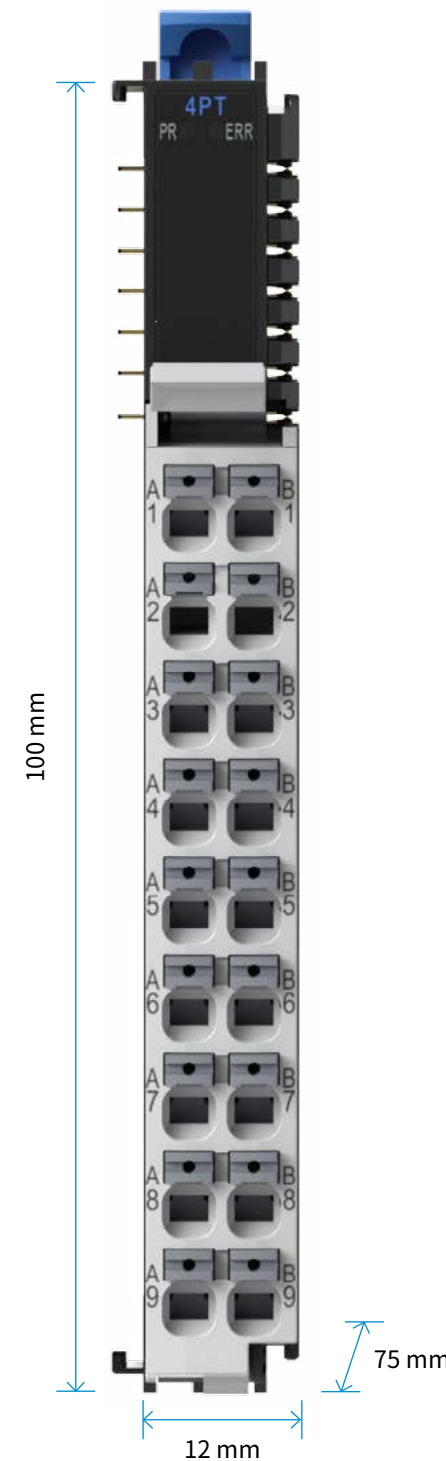
GL20-4TC



24-bit resolution

Item	Specification
Material code	01440338
Model	GL20-4TC
IP rating	IP20
Certification	CE & UL
Ambient temperature	-20°C to +55°C
<b>Power supply</b>	
Rated voltage of bus input power supply	5 VDC (4.75 VDC ~ 5.25 VDC)
Rated current of bus input power supply	85 mA (typical at 5 V)
Rated voltage of terminal input power supply	24 VDC (20.4 VDC ~ 28.8 VDC)
Rated current of terminal input power supply	100 mA (typical at 24 V)
Module hot swap function	Not supported
24V input anti-reverse	Supported
<b>Input</b>	
Input channels	4 way
Digital resolution	24 bit
Display sensitivity	0.1°C, 0.1°F
Input terminal	Thermocouple input, thermocouple type: B, E, N, J, K, R, S, T
Compensation method	Internal cold junction compensation
Accuracy (25°C)	(±0.1%)±1°C (±100 mV full scale) + cold junction compensation error. Only ADC sampling accuracy is defined here. For specific temperature measurement accuracy, see user manual.
Accuracy (operating temperature -20°C to 55°C)	(±0.3%)±1°C (±100 mV full scale) + cold junction compensation error. Only ADC sampling accuracy is defined here. For specific temperature measurement accuracy, see user manual.
Isolation	Isolation between I/O terminals and power supply. No isolation between channels.
Input action display	None
Input derating	None
Overrun disconnection detection	Support

GL20-4PT



24-bit resolution

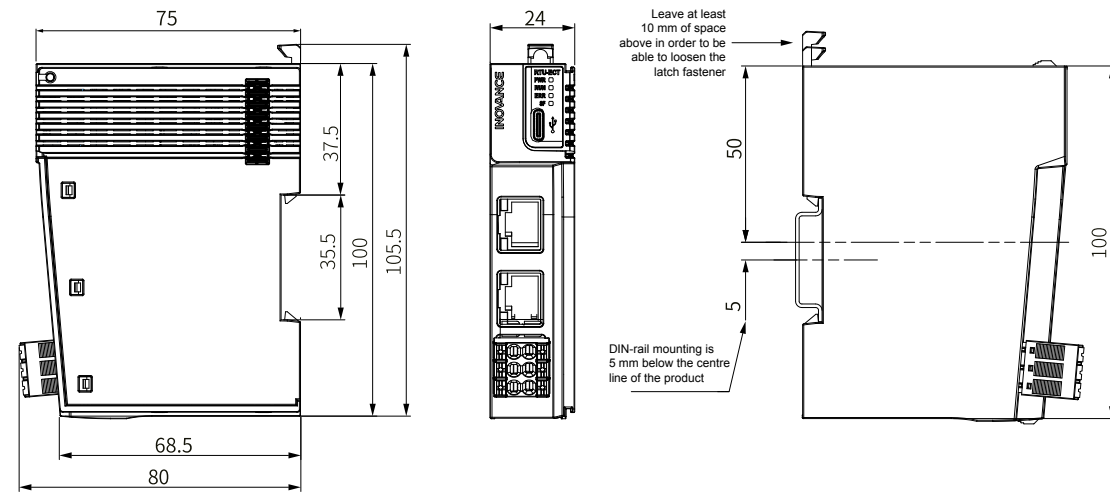
Item	Specification
Material code	01440337
Model	GL20-4PT
IP rating	IP20
Certification	CE & UL
Ambient temperature	-20°C to +55°C
<b>Power supply</b>	
Rated voltage of bus input power supply	5 VDC (4.75 VDC ~ 5.25 VDC)
Rated current of bus input power supply	85 mA (typical at 5 V)
Rated voltage of terminal input power supply	24 VDC (20.4 VDC ~ 28.8 VDC)
Rated current of terminal input power supply	100 mA (typical at 24 V)
Module hot swap function	Not supported
24V input anti-reverse	Supported
<b>Input</b>	
Input channels	4 way
Digital resolution	24 bit
Display sensitivity	0.1°C, 0.1°F
Input terminal	4-channel thermal resistor input
Sensor type	Pt100, Pt500, Pt1000, Cu100, KTY84, NTC5K, NTC10K.
Wiring	Two-wire/three-wire
Accuracy (25°C)	(±0.1%), (0 mV to 1000 mV full scale). Only ADC sampling accuracy is defined here. For specific temperature measurement accuracy, see user manual.
Accuracy (operating temperature -20°C to 55°C)	(±0.3%), (0 mV to 1000 mV full scale). Only ADC sampling accuracy is defined here. For specific temperature measurement accuracy, see user manual.
The sampling period	250 ms, 500 ms, 1,000 ms /4 channels (configurable by software)
Filter time	0s...100s (configurable by software, default 5s)
Isolation	Isolation between I/O terminals and power supply Isolation between channels



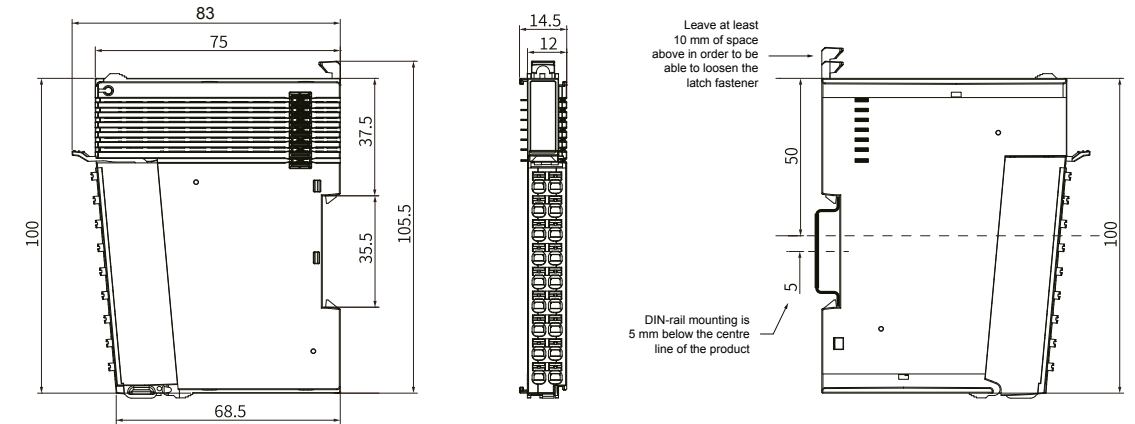
# External dimensions

## GL20 modules and accessories

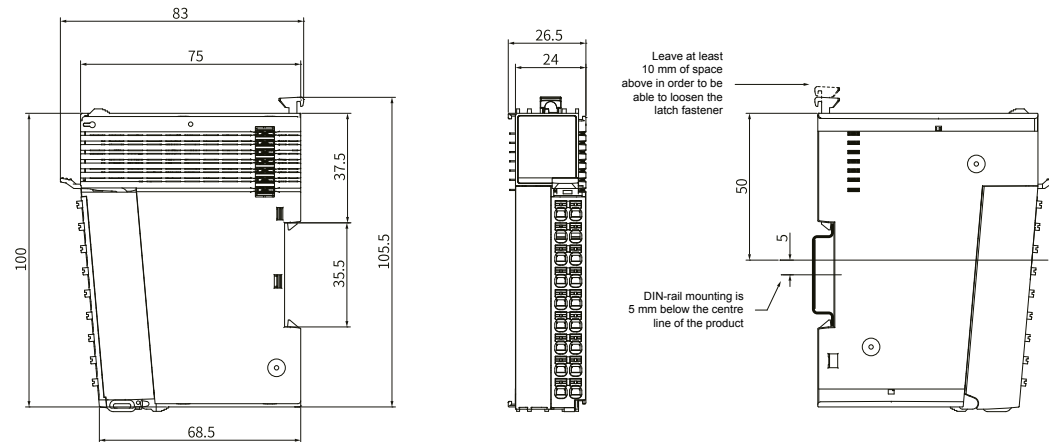
### GL20-RTU-ECT, GL20-RTU-PN



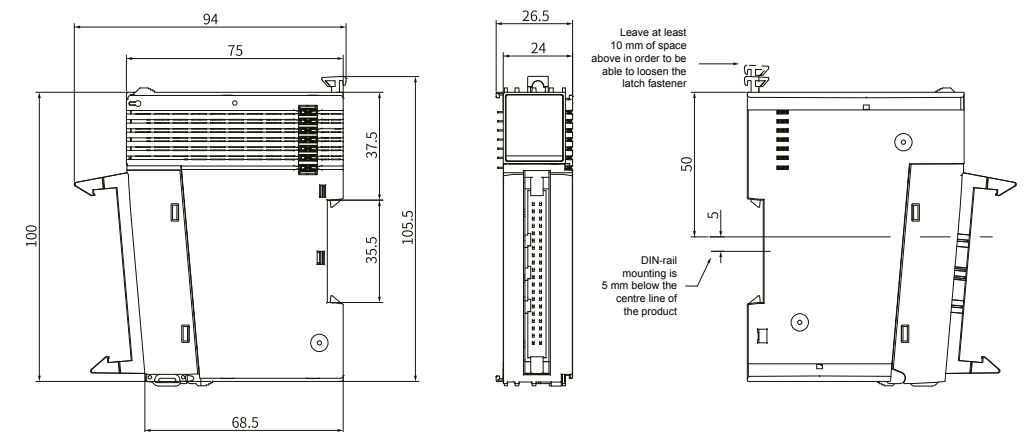
### GL20-1600END, GL20-0800END, GL20-0008ETP, GL20-0016ETP, GL20-0016ETN, GL20-0808ETN, GL20-4AD, GL20-4DA, GL20-4PT, GL20-4TC, GL20-PS2



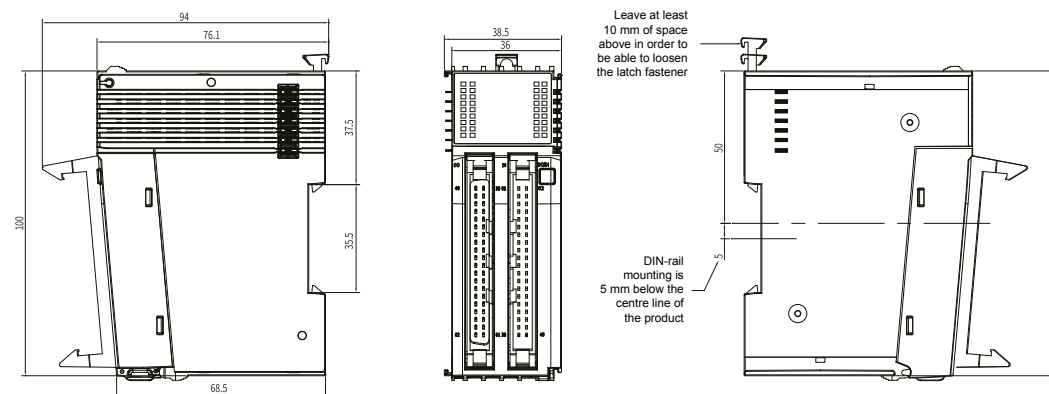
### GL20-0008R, GL20-3200END, GL20-0032ETN



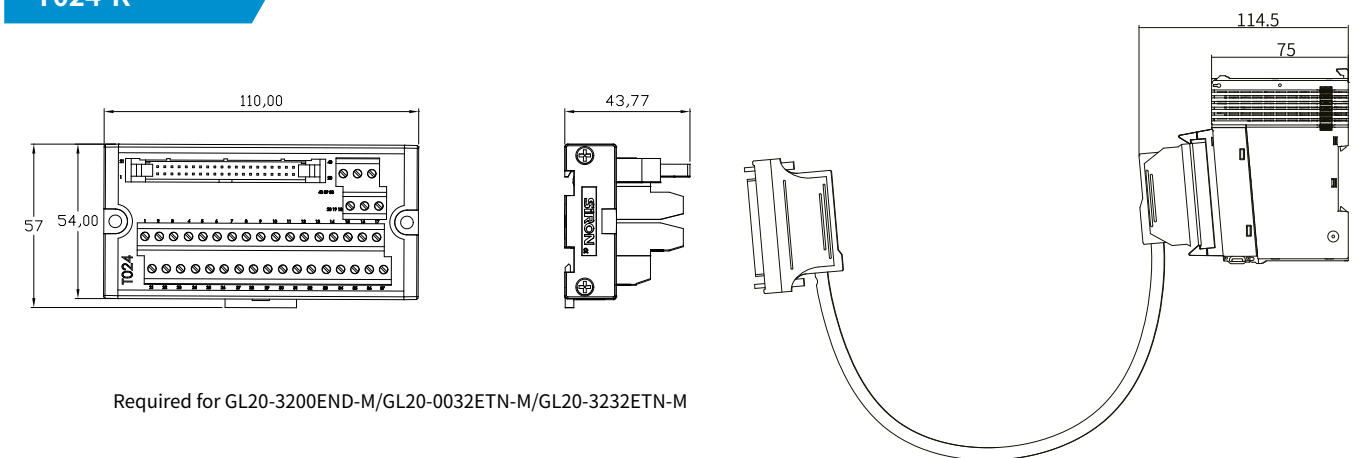
### GL20-3200END-M, GL20-0032ETN-M



### GL20-3232ETN-M



### T024-K



# Selection chart

## GL20 modules and accessories

Type	Model	Product code	CE	UL	Description
Bus coupler	GL20-RTU-ECT	01440286	YES	YES	EtherCAT slave bus coupler. Up to 16 expansion modules can be added
	GL20-RTU-PN	01440289	YES	YES	PROFINET slave bus coupler. Up to 16 expansion modules can be added
					Ethernet/IP slave bus coupler. Up to 16 expansion modules can be added (Coming soon)
Digital inputs	GL20-1600END	01440291	YES	YES	16 x source (PNP)/sink (NPN) digital inputs module. Input filter from 0.25 ms to 32 ms
	GL20-0800END	01440381	YES	YES	8 x source (PNP)/sink (NPN) digital inputs module. Input filter from 0.25 ms to 32 ms
	GL20-3200END	01440466	YES		32 x source (PNP)/sink (NPN) digital inputs module. Input filter from 0.25 ms to 32 ms
	GL20-3200END-M	01440378	YES		32 x source (PNP)/sink (NPN) digital inputs module. Input filter from 0.25 ms to 32 ms (Requires T024-K terminal block and extension cable)
Digital outputs	GL20-0008ETP	01440380	YES	YES	8 x source (PNP) transistor outputs module. Response time 100 µs
	GL20-0008ETN	01440379	YES	YES	8 x sink (NPN) transistor outputs module. Response time 100 µs
	GL20-0016ETP	01440292	YES	YES	16 x source (PNP) transistor outputs module. Response time 100 µs
	GL20-0016ETN	01440293	YES	YES	16 x sink (NPN) transistor outputs module. Response time 100 µs
	GL20-0032ETN	01440467	YES		32 x sink (NPN) transistor outputs module. Response time 100 µs.
	GL20-0032ETN-M	01440377	YES		32 x sink (NPN) transistor outputs module. Response time 100 µs. (Requires T024-K terminal block and extension cable)
Relay outputs	GL20-0008ER	01440334	YES	YES	8 x relay outputs module. Response time 15 ms
Digital inputs & outputs	GL20-0808ETN	01440339	YES	YES	8 x sink (NPN) digital inputs and 8 x sink (NPN) transistor outputs module. Response time 100 µs. Input filter from 0.25 ms to 32 ms
	GL20-3232ETN-M	01440290	YES		32 x source (PNP)/sink (NPN) digital inputs and 32 x sink (NPN) transistor outputs module. Response time 100 µs. Input filter from 0.25 ms to 32 ms. (Requires T024-K terminal block and extension cable)
Analog inputs & outputs	GL20-4AD	01440288	YES	YES	4 x analog inputs module (Resolution 16 bits, sampling time 250 µs)
	GL20-4DA	01440287	YES	YES	4 x analog outputs module (Resolution 16 bits, sampling time 250 µs)
Temperature detection	GL20-4PT	01440337	YES	YES	4 x channel thermal resistance inputs temperature detection module (Pt 100, Pt 500, Pt 1000, Cu 100, KTY 84, NTC 5K, NTC 10K)
	GL20-4TC	01440338	YES	YES	4 x channel thermocouple inputs temperature detection module (Thermocouple type: B,E,N,J,K,R,S,T)
Power supply expansion	GL20-PS2	01440351	YES	YES	Power supply expansion module. The rated current of the internal bus of the coupler is 2 A. If a higher current is required, a combination of the bus coupler and the power supply expansion module GL20-PS2 should be used
Accessories	XA3210A-40-L0.5M-01	15310167	YES		I/O extension cable - 0.5 m length with 2 FCN connectors (Required for GL20-3200END-M/GL20-0032ETN-M/GL20-3232ETN-M)
	XA3210A-40-L2M-01	15310166	YES		I/O extension cable - 2 m length with 2 FCN connectors (Required for GL20-3200END-M/GL20-0032ETN-M/GL20-3232ETN-M)
	T024-K	15020452	YES		40PIN MIL screw terminal block (Required for GL20-3200END-M/GL20-0032ETN-M/GL20-3232ETN-M)



# Driven by technology

AC drives



AC MultiDrives



MV drives



Single-Axis servos



Multi-Axis servos



Robotics & motion controllers



PLCs & HMIs



CNC machine tool solutions



Electric vehicle inverters



For more information, please contact our local offices.

## International Offices

Germany-Stuttgart  
Tel: +49 (0) 7144 8990  
sales.de@inovance.eu

Italy-Milano  
Tel: +39 (0) 2268 22318  
sales.it@inovance.eu

France-Bordeaux  
Tel: +33 (0) 5594 01050  
sales.fr@inovance.eu

Spain-Barcelona  
Tel: +34 93 504 94 48  
sales.es@inovance.eu

Turkey-Istanbul  
Tel: +90 (216) 706 17 89  
sales.tr@inovance.eu

South Korea-Seoul  
Tel: +82 2 3489 8850  
sales.kr@inovance.eu

India  
Head Office Chennai Tel: +91 (0) 44 4380 0201  
Ahmedabad Tel: +91 (0) 79 4003 4274  
Mumbai Tel: +91 (0) 22 4971 5883  
New Delhi Tel: +91 (0) 11 4165 4524  
Sales Network in Kolkata, Bengaluru, Pune,  
Coimbatore, Hyderabad, Vadodara, Jaipur  
info@inovance.ind.in

Hong Kong SAR  
International export office  
Tel: +852 2751 6080  
info@inovance.eu

For other country distributors,  
contact the Hong Kong office.

Inovance Technology Companies  
Shenzhen Inovance Technology Co. Ltd.  
Suzhou Inovance Technology Co. Ltd.

**INOVANCE**  
www.inovance.eu